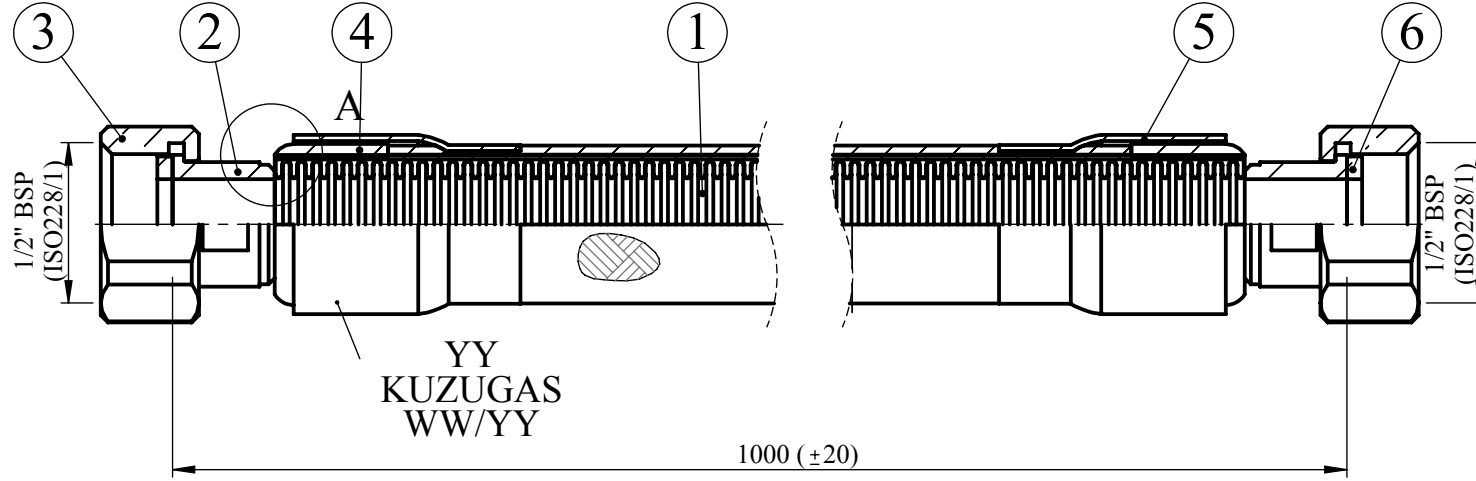


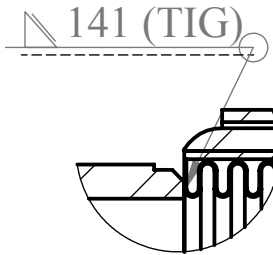
# KUZUGAS DN 12 CE 0051-CPR-0399 EN 14800:2007 GAS MANIFATTURATO-NATURALE-GPL



**NOT: TRANSPARAN SARI PVC**

NOT: ÜRÜN POŞETLEME MAKİNASINDA UZUNLAMASINA PAKETLENECEKTİR.

**NOT: KOLİ İÇİ MİKTAR 175 ADET**



DETAY A  
ÖLÇEK 2 : 1

| MONTAJ NO<br>PART NR | PARÇA ADI / ITEM NAME   | RESİM NO/<br>DRAWING NO | ADET QTY | MALZEME<br>MATERIAL    |
|----------------------|---|-------------------------|----------|------------------------|
| 8                    | LABEL   | 0000 0611 36            | 1        |                        |
| 7                    | TRANSPARENT NYLON   | 0000 0600 08            | 1        |                        |
| 6                    | 1/2" GASKET   | 0000 0004 44            | 2        | NBR                    |
| 5                    | RING 2  | 0000 0005 92            | 2        | AISI304/1.4301         |
| 4                    | DN12 RING   | 0000 0005 33            | 2        | AISI304/1.4301         |
| 3                    | 1/2" BSP NUT (NICKEL PLATED)  | 0000 0009 53            | 2        | CW617N/2.0402          |
| 2                    | DN12 LINER  | 0000 0004 03            | 2        | AISI303/1.4305         |
| 1                    | KZ325 DN12 B + TRANSPARENT YELLOW PVC L=958mm<br>(It is coated with PVC hose) | 0000 0041 89            | 1        | HOSE (AISI316L)<br>PVC |

| Rev.                             | Description                      | Date                                 | Drawer     | Visa                  |  |                        |  |                                   |  |           |           |     |              |      |            |      |                                   |    |  |       |  |      |  |       |  |      |  |      |  |      |  |
|----------------------------------|----------------------------------|--------------------------------------|------------|-----------------------|--|------------------------|--|-----------------------------------|--|-----------|-----------|-----|--------------|------|------------|------|-----------------------------------|----|--|-------|--|------|--|-------|--|------|--|------|--|------|--|
| 1                                | Etiket değiştirilmiştir. DBF0259 | 24.05.2016                           | SEDA ÇAKIR | BAHRİ BİÇİMSEVEN      |  |                        |  |                                   |  |           |           |     |              |      |            |      |                                   |    |  |       |  |      |  |       |  |      |  |      |  |      |  |
| 0                                | İlk yayın                        | 31.07.2015                           | SEDA ÇAKIR | BAHRİ BİÇİMSEVEN      |  |                        |  |                                   |  |           |           |     |              |      |            |      |                                   |    |  |       |  |      |  |       |  |      |  |      |  |      |  |
| General Tolerances<br>EN 22768 f |                                  | Angles related to shortest side (mm) |            | Chamfer & Radius (mm) |  | Linear Dimensions (mm) |  |                                   |  |           | Scale 1/1 |     | Sheet 1/1    |      | A4         |      | KUZUFLEX®<br>Flexible Metal Hoses |    |  |       |  |      |  |       |  |      |  |      |  |      |  |
| Surface Roughness<br>EN ISO 1302 |                                  | Tol.                                 |            | ±1°                   |  | ±30'                   |  | ±20'                              |  | ±10'      |           | ±5' |              | ±0.2 |            | ±0.5 |                                   | ±1 |  | ±0.05 |  | ±0.1 |  | ±0.15 |  | ±0.2 |  | ±0.3 |  | ±0.5 |  |
| ADDITIONAL OPERATION             |                                  | Heat Treatment                       |            | Net Weight            |  | Material               |  | Customer Article No               |  | Item Name |           |     |              |      | Drawing No |      | Rev.                              |    |  |       |  |      |  |       |  |      |  |      |  |      |  |
| Certification Level              |                                  | Inspection Class                     |            | ---                   |  | ---                    |  | KZ325 DN12 B ASSEMBLY<br>L=1000mm |  |           |           |     | 0736 0003 00 |      | 1          |      |                                   |    |  |       |  |      |  |       |  |      |  |      |  |      |  |

This drawing and all the information contained can not be used or reproduced, integrity or partially, without written authorization of KUZUFLEX Flexible Metal Hoses