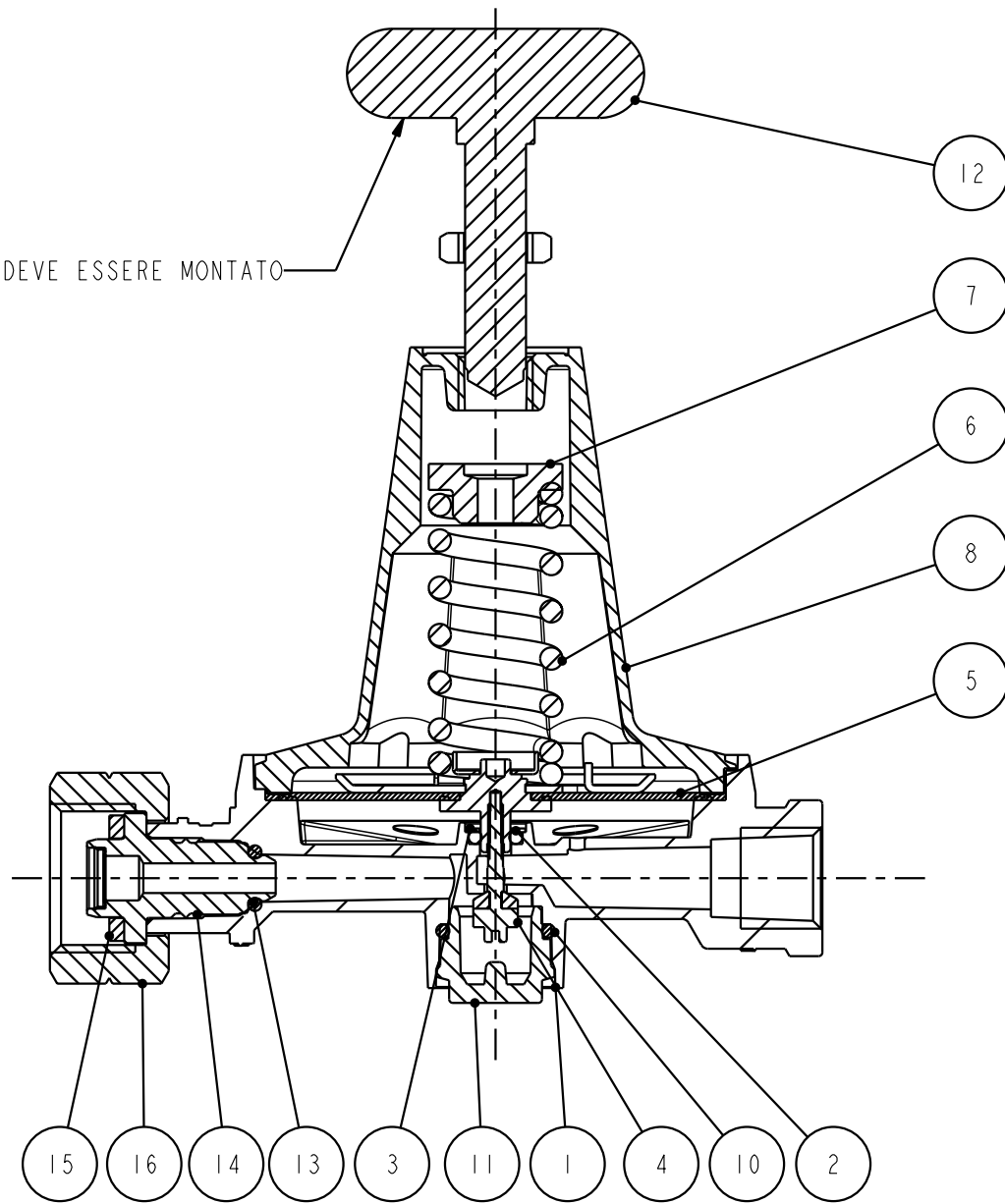
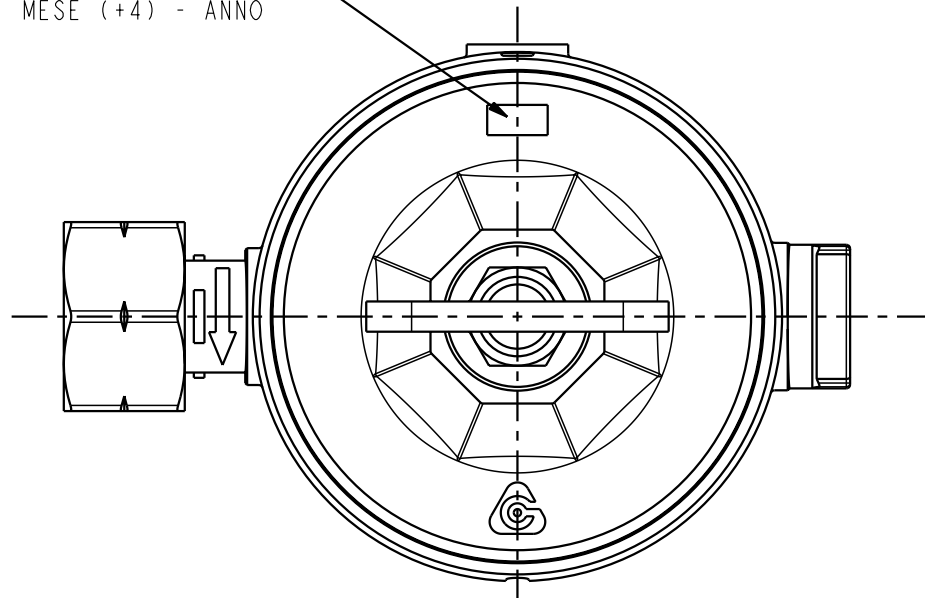


This drawing may not be copied or distributed in any way without the written permission of Cavagna Group Div. RE.CA. Via Matteotti, 5 - Calvisano - BS - Italy

IL S/I VITE DEVE ESSERE MONTATO

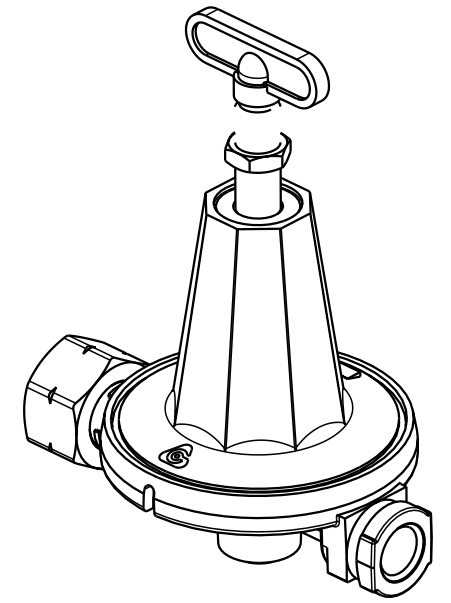


DATA DI FABBRICAZIONE
MESE (+4) - ANNO



Type 932 PROPANO
Regolabile 0.5±4 bar 12kg/h P.al 16 bar max
CE-0085BP0303 EN13785

PARTICOLARE TARGHETTA



NO	NO PRODUCT	DENOMINATION	Q.TY
1	00-1-150-0120	SCATOLA MOD.93 (APZ) brocciata - G1/4"	1
2	04-1-110-0529	O RING	1
3	15-1-110-0028	RONDELLA	1
4	03-1-950-0045	S/I PISTONCINO (MOD. 91)	1
5	09-1-950-0069	S/I MEMBRANA REG MOD 93 TIPO OARA APZ	1
6	07-1-110-0209	MOLLA REG.93 TIPO OARA APZ	1
7	08-1-110-0048	PREMIMOLLA	1
8	01-1-150-0167	COPERCHIO 93 TIPO OARA APZ - lavorato	1
9	24-1-110-0001	SILVER PAINT (METAL GLOSS)	1
10	04-1-110-0523	O RING	1
11	16-1-110-0307	TAPPO MOD.91	1
12	14-4-950-0001	S/A REGULATING WING NUT (RID. MOD 603)	1
13	04-1-110-0502	O RING	1
14	16-1-950-0092	S/I RACCORDO BROCCIATO	1
15	04-1-110-0007	SEALING WASHER	1
16	10-1-110-0005	UNION NUT - W 20 X 1/14'' G1-EN 12864	1
17	34-1-310-0034	TARGHETTA PER REGOLATORE TIPO 932	1
18	34-1-110-0409	INSTRUCTION	1
19	23-1-210-0080	IMBALLO STANDARD	1
20	23-1-510-0002	STANDARD BOX (R34)	1

	DENOMINATION REGOLATORE ALTA PRESSIONE REGOLABILE TYPE 932 (APZ) LPG 0.5±4 bar 5±12 Kg/h							
	RECA	MODEL 932	ORIFICE 3	INLET W20X1/14" L.H.	OUTLET G 1/4 FEMALE	SHARED N.A.	PROD. INT GROUP -	
PERFORMANCE DOC.	COUNTRY ITALIA	COUNTRY SPECIFIC DIN 4811-3	WEIGHT -	SCALE 1:1	MODIFY FILE 2590	PRODUCT NO		
PROD. EVOLUTION DEFINITIVE	PROJECT NO 1365-04	RELEASE LEVEL APPROVED+	DRAWN BY MORI E.	VERIFIED BY TOMASELLI L.	APPROVED BY SCHLICK B.	DATE 05/06/08	93-1-290-0008	2